



VERSATILE ENOUGH TO BECOME YOUR GLOBAL STANDARD

The Roto-Bin-Dicator is the most universal of all level sensing technologies and is the most popular level switch used in dry bulk materials. The Roto-Bin-Dicator is a rotating paddle type, bulk material level sensor offered with a wide variety of paddle options for unequalled application versatility. It is easy to install and requires no special tools or calibration.

FEATURES AND BENEFITS

- A simple, mechanical mechanism means no calibration is required for quick installation
- Long-lasting, sealed motor keeps maintenance and replacement costs low
- External Indicator Lights to communicate functionality of the unit
- Extensive Paddle Options to adapt to a variety of applications
- Adjustable Time Delay is field selectable to modify if the application needs change.
- An external function test using the Test FOB allows a check of the unit without having to remove the cover.
- For added security, Fail-Safe Selection is available
- Frame designed to enable connection flexibility
Imperial or Metric conduit entry options
Process Fitting can be made to fit any connection

SPECIFICATIONS

FUNCTIONAL

Operating Power	Super-Safe: 24 VDC Super-Safe Plus: 120/240 VAC; 50/60 Hz
Power Consumption	7 watts
Motor	Super-Safe: 2 rpm; Super-Safe Plus: 1 rpm
Fuse	1/8 amp internally fused
Contact Ratings	Level Alarm: Super-Safe: DPDT, 5A @ 277 VAC, 5A @ 30 VDC; Super-Safe Plus: SPDT 10A @ 125 VAC, 6A @ 277 VAC, 5A @ VDC Failure Indication: Super-Safe NA; Super-Safe Plus: SPDT, 0.6 amp @ 125 VAC
Fail-Safe Circuitry	Low or high level field selectable
Operating Temp	-40° to 113° F (-40° to 45° C)
Time Delay	Super-Safe: 10 seconds; Super-Safe Plus: 3 seconds

PHYSICAL

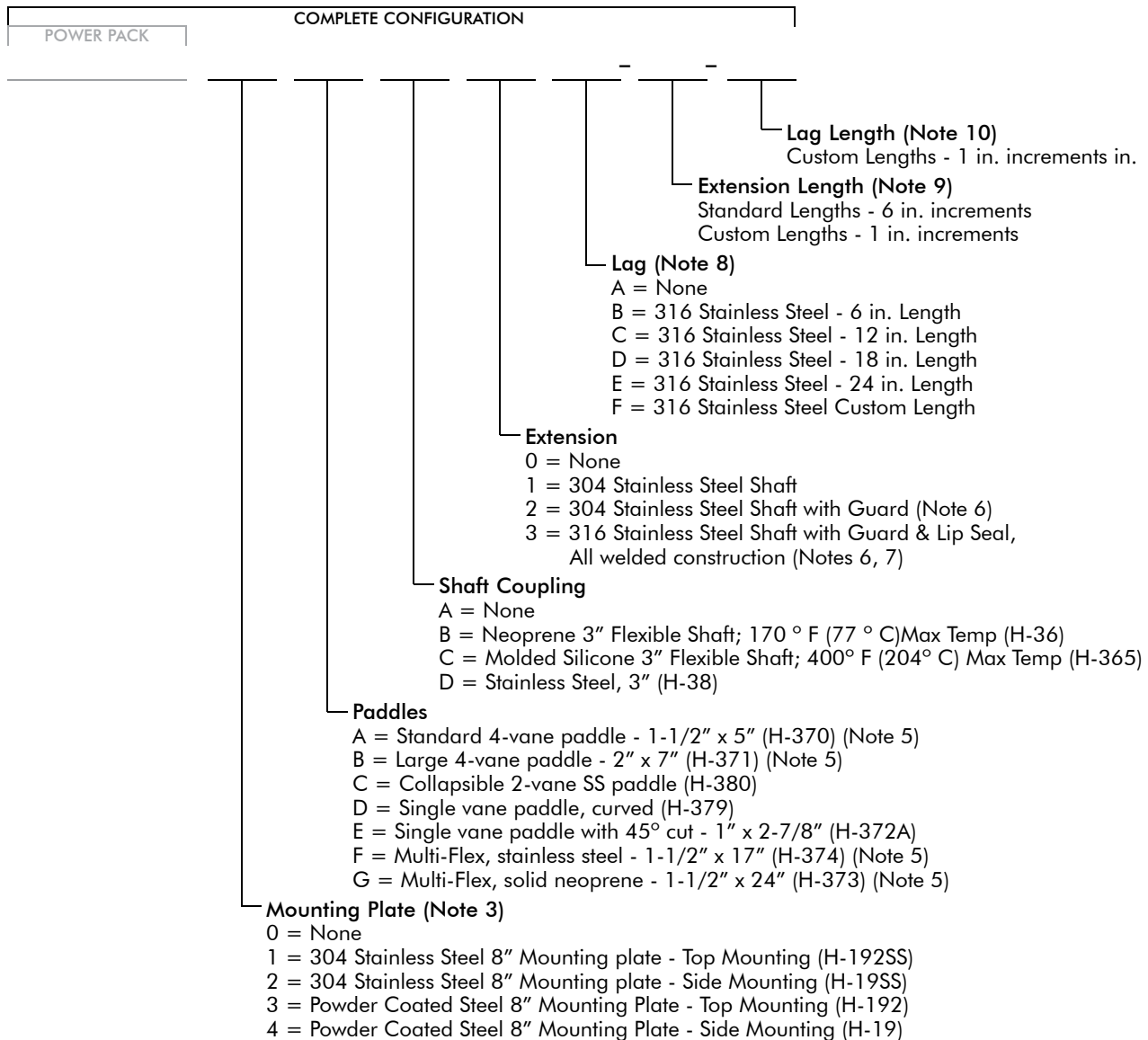
Drive Shaft Assembly	Precision machined shaft with two shielded ball bearings
Shaft Seal	Teflon®/Viton® Lipseal rated 1/2 micron at 30 psi (2.1 kg/cm ²) at 400° F (204° C)
Housing and Cover	Type 4X/IP66; Polyester-coated aluminum casting
Mounting Plate	8" outside diameter with 1 1/4" NPT pipe threaded coupling; standard polyester coated mild steel; optional 304 stainless steel; H-19 Half Coupling; H-192 Full Coupling
Conduit Entry	3/4" NPT or M20 x 1.5
Rigid Shaft and Paddle	Metal parts of all designs are 304 stainless steel
Flex Shaft	Either Veoprene, 155° F (68° C) or Silicone, 400° F (204° C) coatings
Pulse Wheel	Multi-toothed pulse wheel with an opti-reflective circuit
External Lights	Green (power/diagnostics) and red (alarm/diagnostics) lights
Shipping Weight	Aluminum housing 10 lbs (4.5 kg); stainless steel housing 16 lbs (7.3 kg)

SUPER SAFE ROTO-BIN-DICATOR - ORIGINAL - PART ONE

POWER PACK OPTIONS	COMPLETE CONFIGURATION
	<p>Process Fitting X1 = Aluminum Frame Neck, NPT 1-1/4" X2 = 304 Stainless Steel Frame Neck, NPT 1-1/4" C2 = 316 Stainless Steel NPT 1-1/4" D2 = 316 Stainless Steel NPT 1-1/2" E2 = 316 Stainless Steel BSP Tapered R 1-1/4" F2 = 316 Stainless Steel BSP Tapered R 1-1/2" J2 = 316 Stainless Steel BSP Straight G 1-1/4" (Note 11) K2 = 316 Stainless Steel BSP Straight G 1-1/2" (Note 11) M2 = 316 Stainless Steel Tri-Clamp 1-1/2" N2 = 316 Stainless Steel Tri-Clamp 2"</p> <p>Housing Finish A = Powder Coated Aluminum B = 304 stainless steel (Note 2, 3) C = Epoxy Painted Aluminum D = Anodized Aluminum</p> <p>Ordinary Location Super-Safe Roto-Bin-Dicator RSS3GH = 24 VDC, DPDT RSS3GHM = 24 VDC, DPDT, Metric Super-Safe Plus Roto-Bin-Dicator RSSP1GH = 120 VAC, 2SPDT RSSP1GHM = 120 VAC, 2SPDT, Metric RSSP2GH = 240 VAC, 2SPDT RSSP2GHM = 240 VAC, 2SPDT, Metric</p> <p>Hazardous Location Super-Safe Roto-Bin-Dicator RSS3XH = 24 VDC, DPDT RSS3XHM = 24 VDC, DPDT, Metric with ATEX and IEC Approvals Super-Safe Plus Roto-Bin-Dicator RSSP1XH = 120 VAC, 2SPDT RSSP1XHM = 120 VAC, 2SPDT, Metric with ATEX and IEC Approvals RSSP2XH = 240 VAC, 2SPDT RSSP2XHM = 240 VAC, 2SPDT, Metric with ATEX and IEC Approvals</p>

Note 1. For PowerPack ordering: for powder coated aluminum and 1-1/4 in. NPT order by model number only.

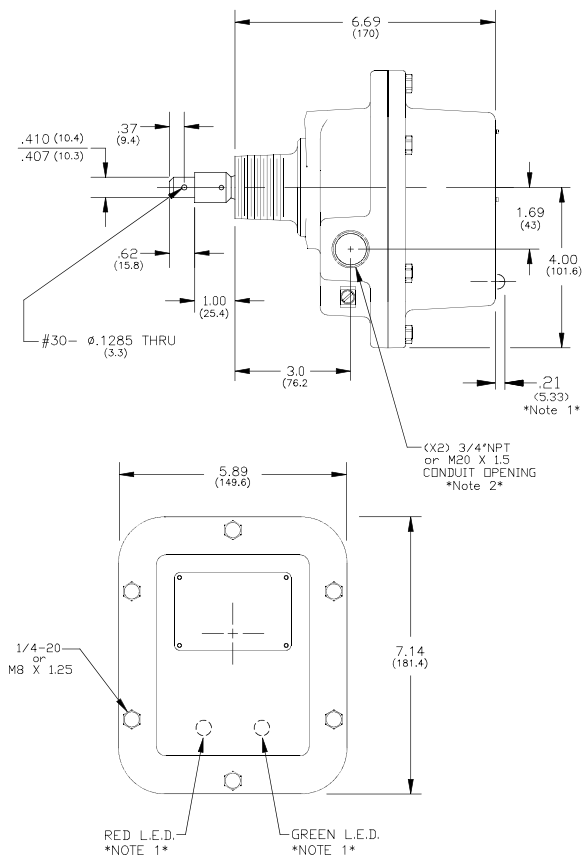
ROTO-BIN-DICATOR - ORIGINAL - PART TWO



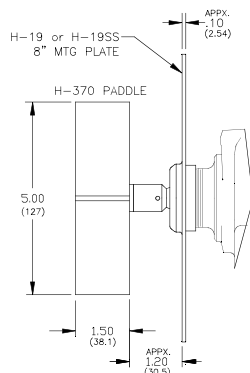
Notes:

2. Hazardous location approval not available with stainless steel Housing Finish
3. Function Test FOB not available with stainless steel Housing Finish
4. For Mounting Plates Process Fitting must be X1, X2, or C2.
5. Mounting plate is required.
6. Shaft guard length will be 2 in. shorter than extension length unless otherwise noted
7. Process Fitting cannot be X1 or X2 and maximum length is 24 in.
8. Lag not available with process fitting X1 or X2
9. Maximum extension length is 180 in. (4.6 m), minimum length is 3 in. (7.6 cm); leave blank if not used.
10. Maximum lag length is 24 inches, minimum length 1 in. (2.5 cm); leave blank if not used
11. Flat gasket is included for Process Fittings with straight threads.

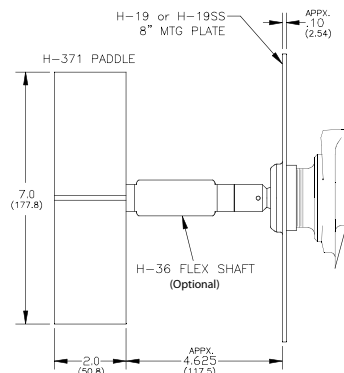
Housing Dimensions



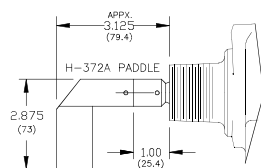
Standard 4-Vane Paddle



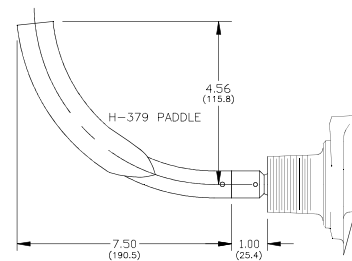
Large 4-Vane Paddle



Single Vane Paddle 45° Cut



Single Vane Paddle Curved



AGENCY APPROVALS

UL (US and Canada)

- Ordinary Location, Type 4X; IP66
- Hazardous Locations, Type 4X; IP66 (Pending)
Explosion Proof
Dust Ignition Proof

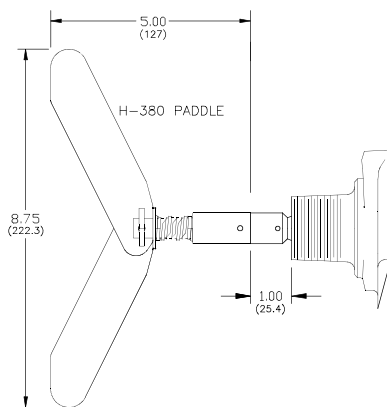
ATEX/IEC/IECex (Pending)

- Dust and Gas Categories

CE

- Electromagnetic Compatibility Directive
- Low Voltage Directive

Collapsible Paddle



COLLAPSED PADDLE

