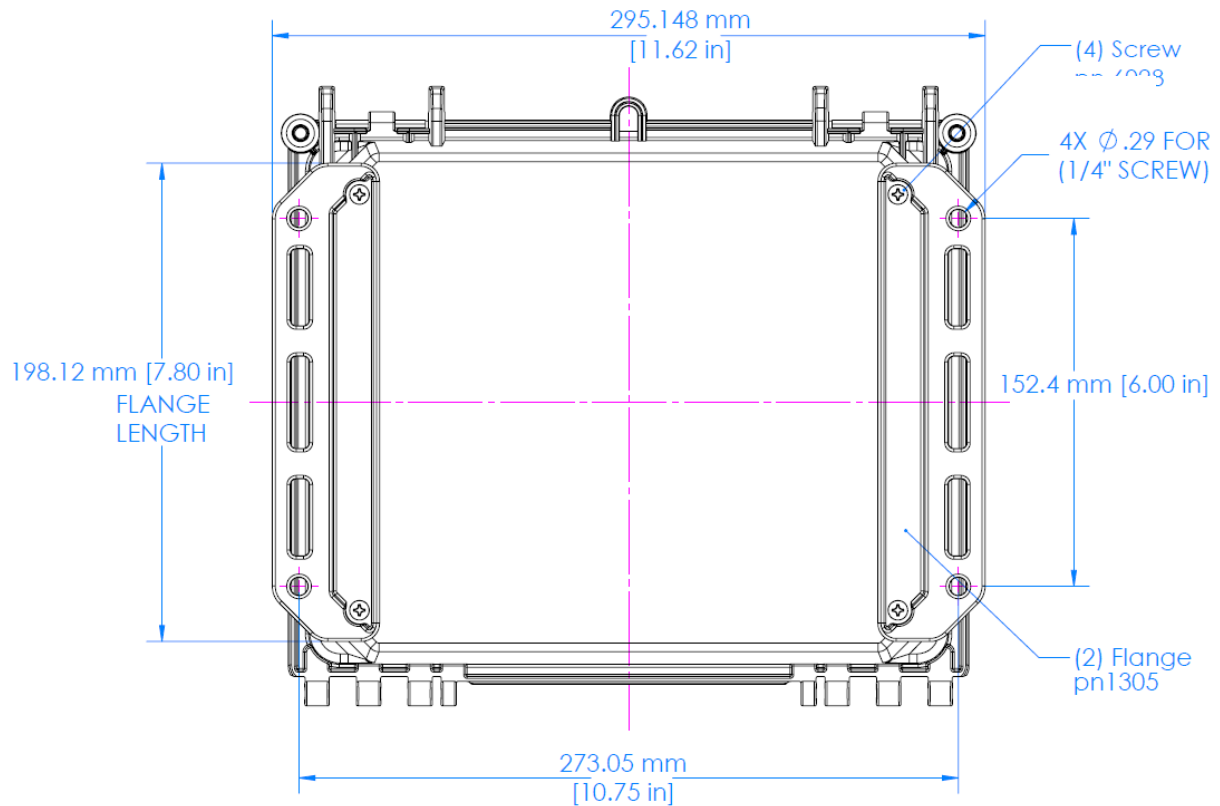


ULTRA TOUCH ANALYSER

Base Mount Drawing



Parts Included	
Qty	Description
2	Flange
4	5/8" Pan Combo H/L Screw

Installation Recommendations:

When selecting the optimal mounting location for the ULTRA TOUCH analyser, several factors should be carefully considered, as outlined below (Please note that this list is not intended as a definitive checklist, nor does it cover all possible considerations):

- Ensure that the mounting location allows access to all serviceable parts and unobstructed visibility of the QLED panel. The base mount of the analyser allows for panel or surface mounting.
- While the analyser is suitable for outdoor use, do not install in direct sunlight or in areas of extreme temperatures.
- Install the analyser in an area where vibration, electromagnetic interference and radio frequency interference are minimised or absent.
- It is recommended to position the electronics in a manner that minimizes exposure to frequent hosing during cleaning processes.
- When installing the analyser, make sure that the orientation is such that the enclosure openings (cable glands and 4-pin female connectors) are facing downwards.
- Ensure that all 4 screws are firmly tightened when using the base mount to attach the analyser to a wall or pipeline.
- Additional components such as U-brackets can be utilised to mount the analyser at the selected location. However, please maintain regular checks to ensure that the attachments are firmly secure and are in good condition.
- Consider requirements for calibration and maintenance processes and ease of access to necessary equipment.

Please be aware that the choice of installation site involves certain compromises, and it is advisable to seek the assistance of an experienced installation engineer to determine the most suitable location for installation on any given site.